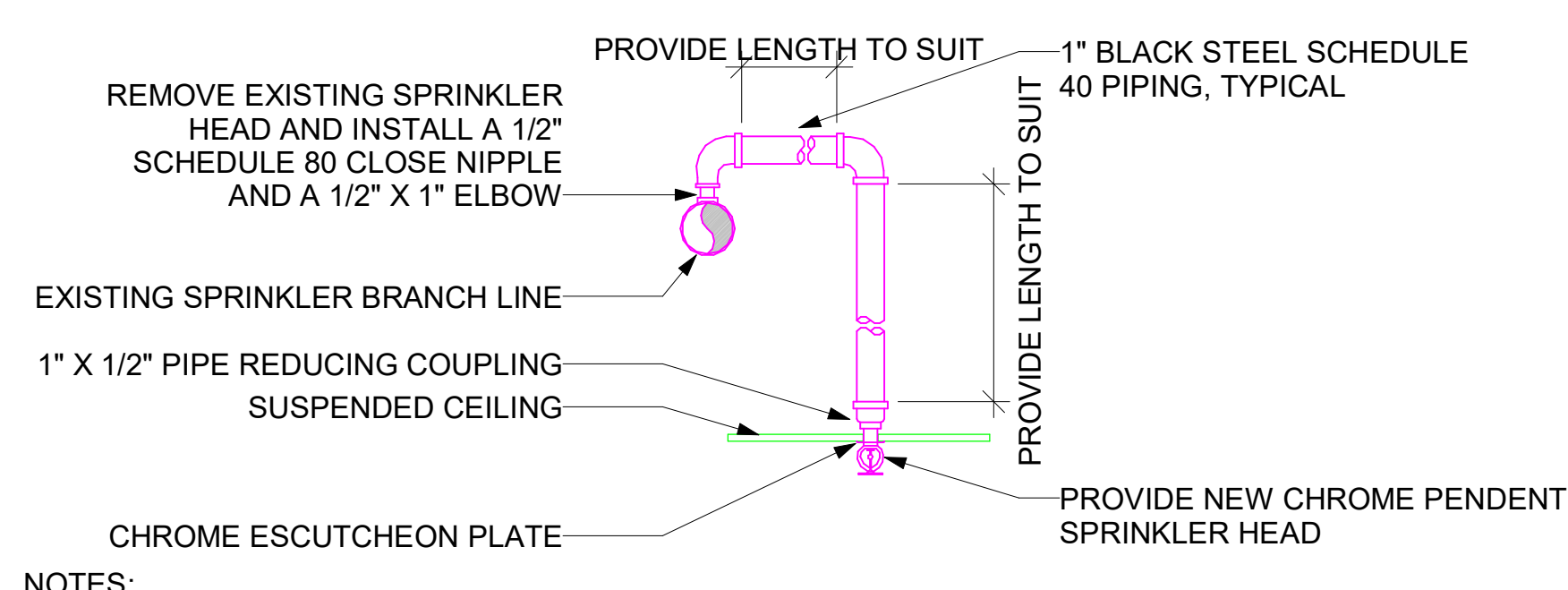
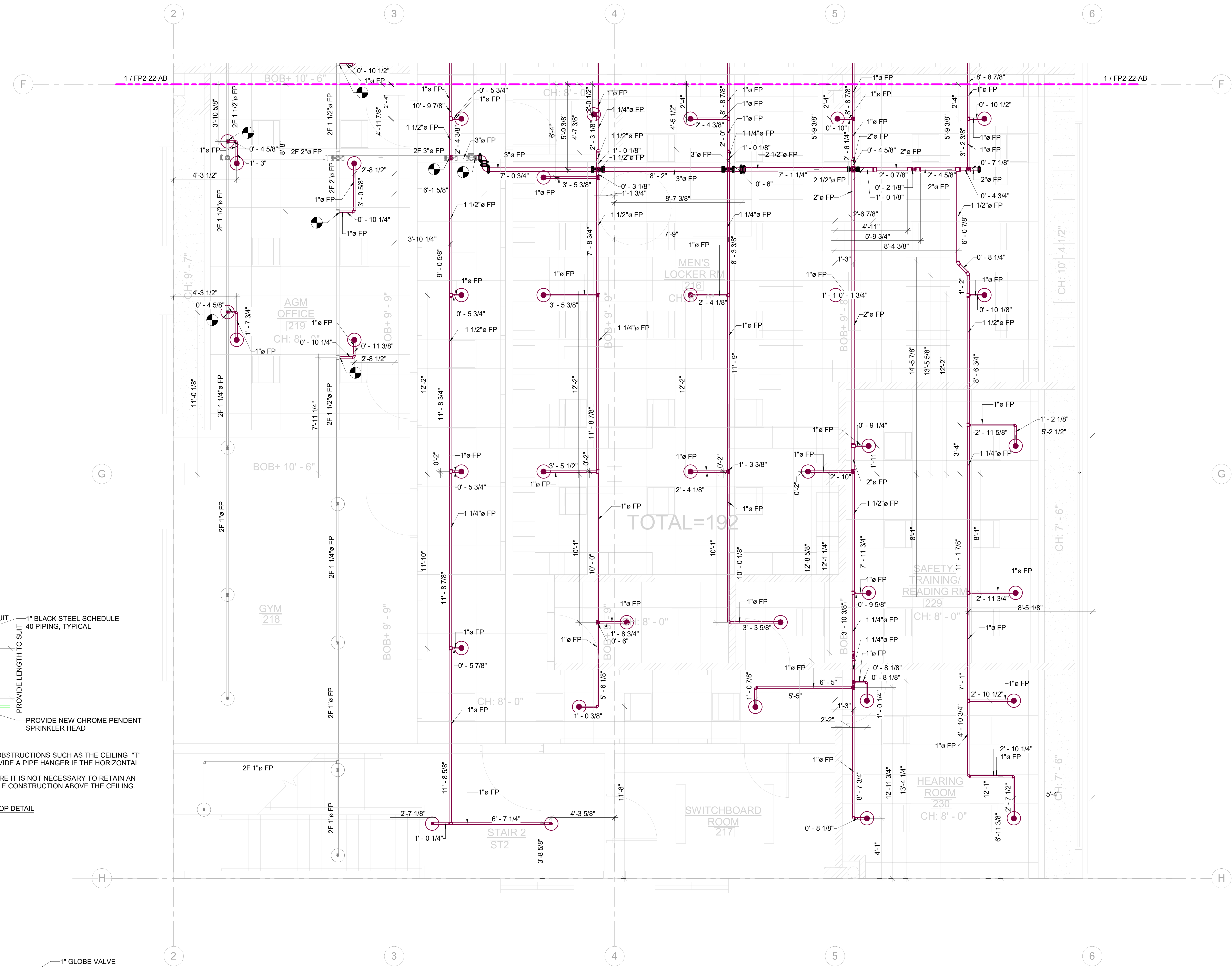
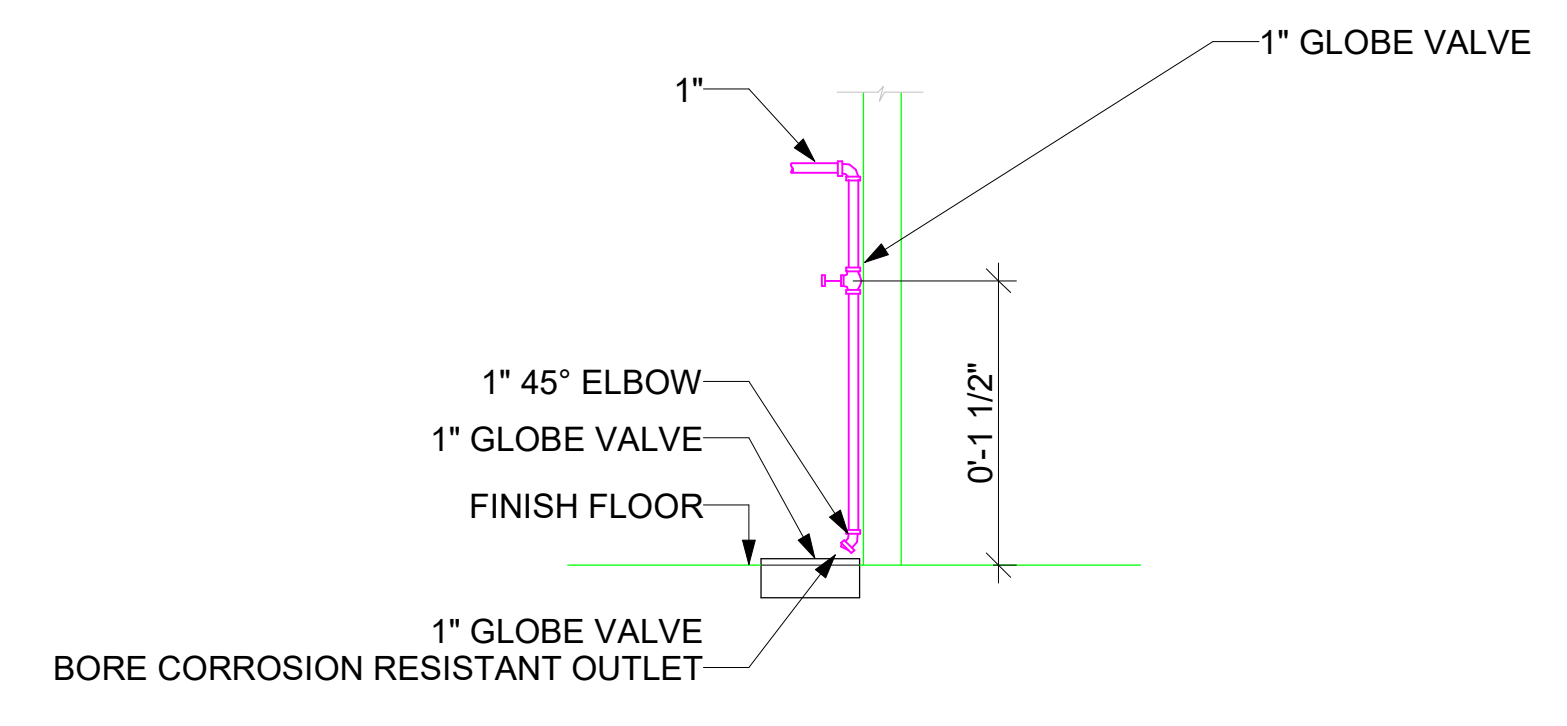


- Point of Connection to Existing
- Sidewall Sprinkler Head
- Pendant Sprinkler Head
- Upright Sprinkler Head



- NOTES:**
- ADJUST SPRINKLER DROPS AS NECESSARY TO CLEAR OBSTRUCTIONS SUCH AS THE CEILING ** BAR SUSPENSION SYSTEM, LIGHT FIXTURES, ETC. PROVIDE A PIPE HANGER IF THE HORIZONTAL OFFSET LENGTH EXCEEDS 24 INCHES.
 - THIS SPRINKLER HEAD DROP IS APPLICABLE ONLY WHERE IT IS NOT NECESSARY TO RETAIN AN UPRIGHT SPRINKLER FOR PROTECTION OF COMBUSTIBLE CONSTRUCTION ABOVE THE CEILING.

TYPICAL NEW SPRINKLER HEAD DROP DETAIL
12" = 1'-0"



INSPECTORS TEST CONNECTION FOR WET PIPE SPRINKLER SYSTEM DETAIL
12" = 1'-0"

FIRE PROTECTION SECOND LEVEL AREA C
3/8" = 1'-0"

AS-BUILT

REVISION	DESCRIPTION	DATE	APPROVED

New York City
Transit Authority
DEPARTMENT OF
CAPITAL
PROGRAM
MANAGEMENT

FOS
50-01 26TH AVE SUITE 110
WOODSIDE, NY 11377
TEL (718)204-1901/FAX (718)204-1902

ALL DETAILS CHECKED FOR CORRECTNESS:
APPROVED TECH EXPERT'S NAME (PRINT) _____ DATE _____
APPROVED TECH EXPERT'S SIGNATURE _____ DATE _____

CONTRACT: C-40218
MEZZANINE BUS EXTENSION AT ULMER PARK BUS DEPOT

**FIRE PROTECTION SECOND LEVEL
AREA C**

CADSWAL TRANSIT LLC 06/03/2019 Schedule Incomplete 06/03/2019

DRAWING NO. FP2-23-AB

DRAWING NO.
FP2-23-AB