

GENERAL SHEET NOTES

- 1 REFER TO STRUCTURAL DRAWINGS FOR SPECIFIC LOCATIONS AND ROTATIONS.
- 2 NEW THERMOSTAT AT 48°F. COORDINATE EXACT LOCATION WITH CLIENT'S REPRESENTATIVE.
- 3 NEW FACTORY INSTALLED DUCT SMOKE DETECTOR, MOUNTED IN THE RETURN DUCT TO BE INTERLOCKED WITH BUILDINGS EXISTING FIRE ALARM SYSTEM. WORK TO BE PERFORMED BY AN APPROVED FIRE ALARM COMPANY AND APPROVAL OF LOCAL FIRE PREVENTION DEPARTMENT MUST BE OBTAINED.
- 4 8"x8" HOOD CONNECTION WITH BLACK IRON DUCT. UP TO HEF-1 ON ROOF. PROVIDE ACCESS DOORS IN RISE AS REQUIRED. (TRANSITION TO ROOF CURB)
- 5 SYSTEM CONTROL AUTOMAN WITH AGENT TANK ENCLOSED. INSTALL CONTROL SYSTEM ON END OF HOOD. INSTALL REMOTE PULL STATION AS INDICATED. COORDINATE EXACT LOCATION WITH ARCHITECT/LOCAL CODES.
- 6 DUCTWORK TO BE RUN ON ROOF OF BUILDING EXTERIOR. INSULATE AND SUPPORT AS REQUIRED. SIZES SHOWN DO NOT INCLUDE INSULATION.
- 7 DUCTWORK TO HUG SLOPED CEILING PROFILE TO APEX AND RUN HORIZONTALLY OVER GYM FLOOR. COORDINATE WITH ARCHITECT AND LIGHTING LOCATIONS. ANGLE DIFFUSERS TO AIR FLOW IS DIRECTED TOWARDS GYM FLOORS AT A 45-DEGREE ANGLE. EXPOSED ROUND DUCTWORK SHOULD BE SPIRAL TYPE WITH INTERNAL INSULATION. COORDINATE DUCT PAINT COLOR WITH ARCHITECT.

NOTE TO ARCHITECT OR ENGINEER

RCP NOT PROVIDED
STRUCTURAL DRAWINGS NOT PROVIDED

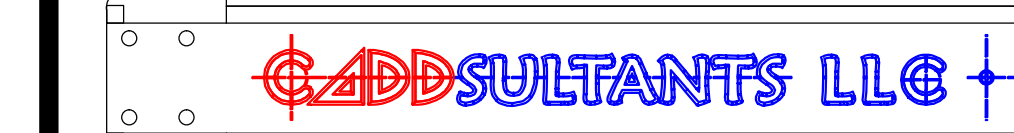
NO.	DATE	DESCRIPTION
1	08/01/16	FOR APPROVAL

MECHANICAL CONTRACTOR:

Banco Mechanical, Inc.
28 Cain Dr.
Brentwood, NY 11717

DRAFTING COMPANY:

Professional Drafting Services
Certified / Insured CAD Specialists
Marc W. Hoffman



167 Allen Road
Rockville Centre NY, 11570
Contact: 646.641.2512
Email: CaddSultant@gmail.com

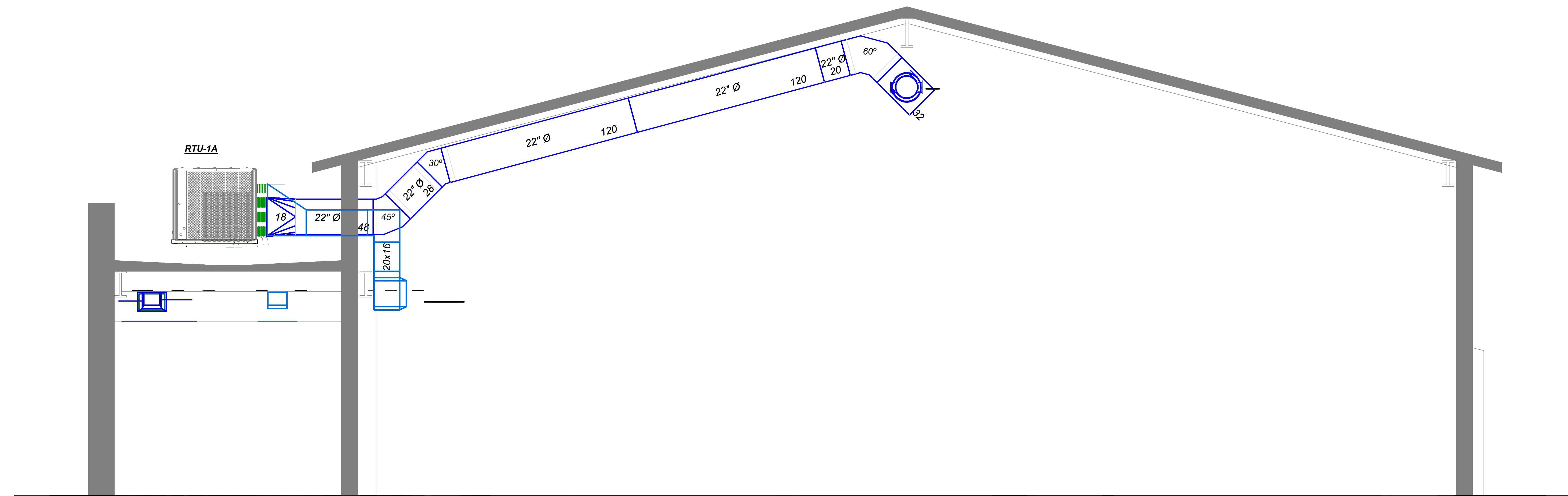
DRAWING NAME:

SHEET METAL PLAN

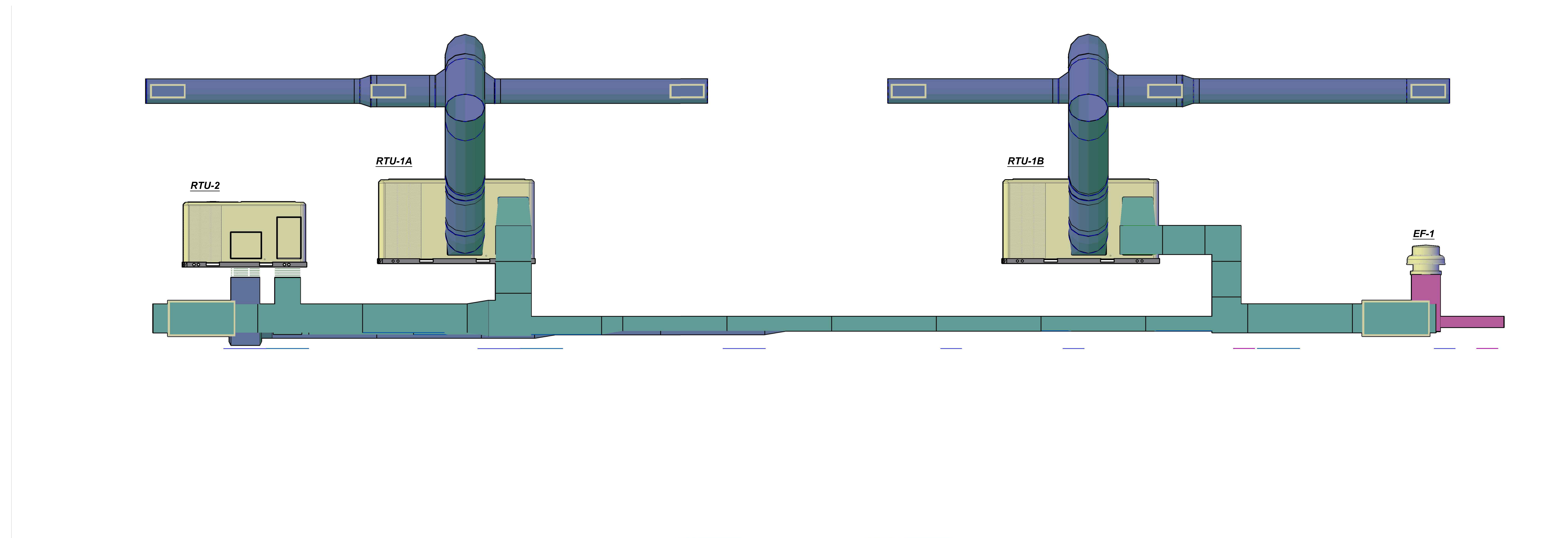
PROJECT INFORMATION:

RCA GYMNASIUM
106 PLEASANT AVE.
ROOSEVELT, NY 11575

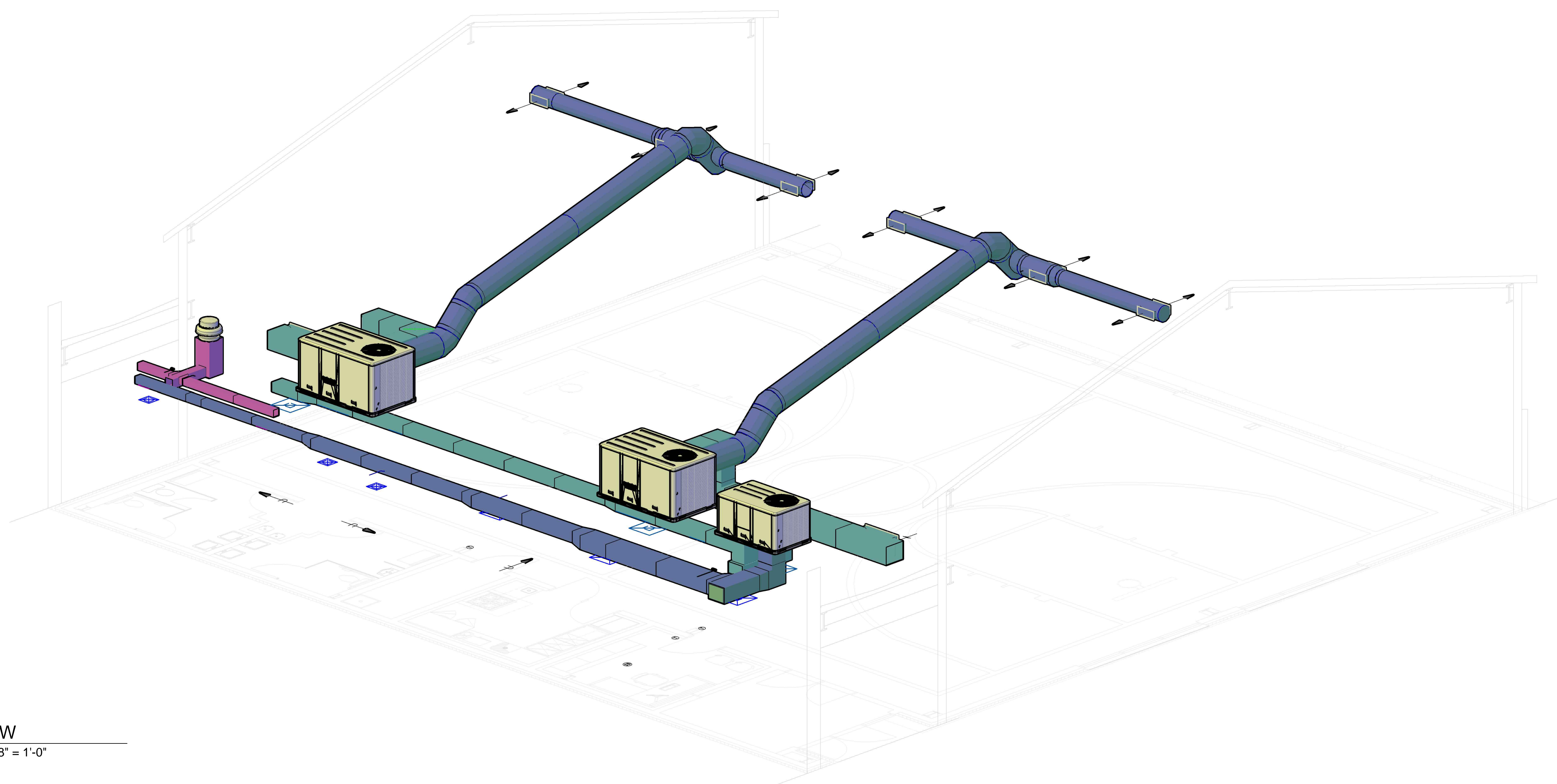
Drawn By: CZ Chckd By: MH
Scale: 3/8"=1'-0" Date: 07/29/16 Drawing Number



1 SECTION A-A
SCALE: 3/8" = 1'-0"



2 SIDE VIEW B-B
SCALE: 3/8" = 1'-0"



2 3D VIEW
SCALE: 3/8" = 1'-0"

THIS DRAWING IS A REPRESENTATION OF A PROPOSED LAYOUT. IT IS THE CONTRACTOR'S RESPONSIBILITY TO VERIFY AND REVIEW PRIOR TO FINAL SUBMISSION. CAD/SULTANTS IS NOT RESPONSIBLE FOR DISCREPANCY'S IN THE FIELD. ANY CORRECTIONS TO THE DRAWING IS REQUIRED BY THE CONTRACTOR TO ADVISE CAD/SULTANTS BY A RED-LINED SKETCH OR VERBAL DESCRIPTION FOR FINAL SUBMISSION BEFORE FABRICATION & INSTALL. ANY CHANGE FROM ORIGINAL ENGINEERING CONTRACT DRAWING MAY RESULT IN ADDITIONAL COSTS FOR RE-DRAFTING SUCH AS CHANGE ORDERS, DESIGN CHANGES, EQUIPMENT CHANGE OUT OR RELOCATIONS. ADDITIONAL SURVEY MAY BE NECESSARY. CAD/SULTANTS IS NOT RESPONSIBLE FOR ANY BACK CHARGES.

NOTE TO ARCHITECT OR ENGINEER

RCP NOT PROVIDED
STRUCTURAL DRAWINGS NOT PROVIDED

NO.	DATE:	DESCRIPTION:
1	08/01/16	FOR APPROVAL

MECHANICAL CONTRACTOR:

Banco Mechanical, Inc.
28 Cain Dr.
Brentwood, NY 11717

DRAFTING COMPANY:

Professional Drafting Services
Certified / Insured CAD Specialists
Marc W. Hoffman
CAD SULTANTS LLC
167 Allen Road
Rockville Centre NY, 11570
Contact: 646.641.2512
Email: Cadsultant@gmail.com

DRAWING NAME:

**SHEET METAL
SECTIONS & 3D VIEW**

PROJECT INFORMATION:

**RCA GYMNASIUM
106 PLEASANT AVE.
ROOSEVELT, NY 11575**

Drawn By: CZ Chkd By: MH
Scale: 3/8"=1'-0" Date: 07/29/16 Drawing Number